

Service
Service
Service

Product Service Group BG HENT

Service Information

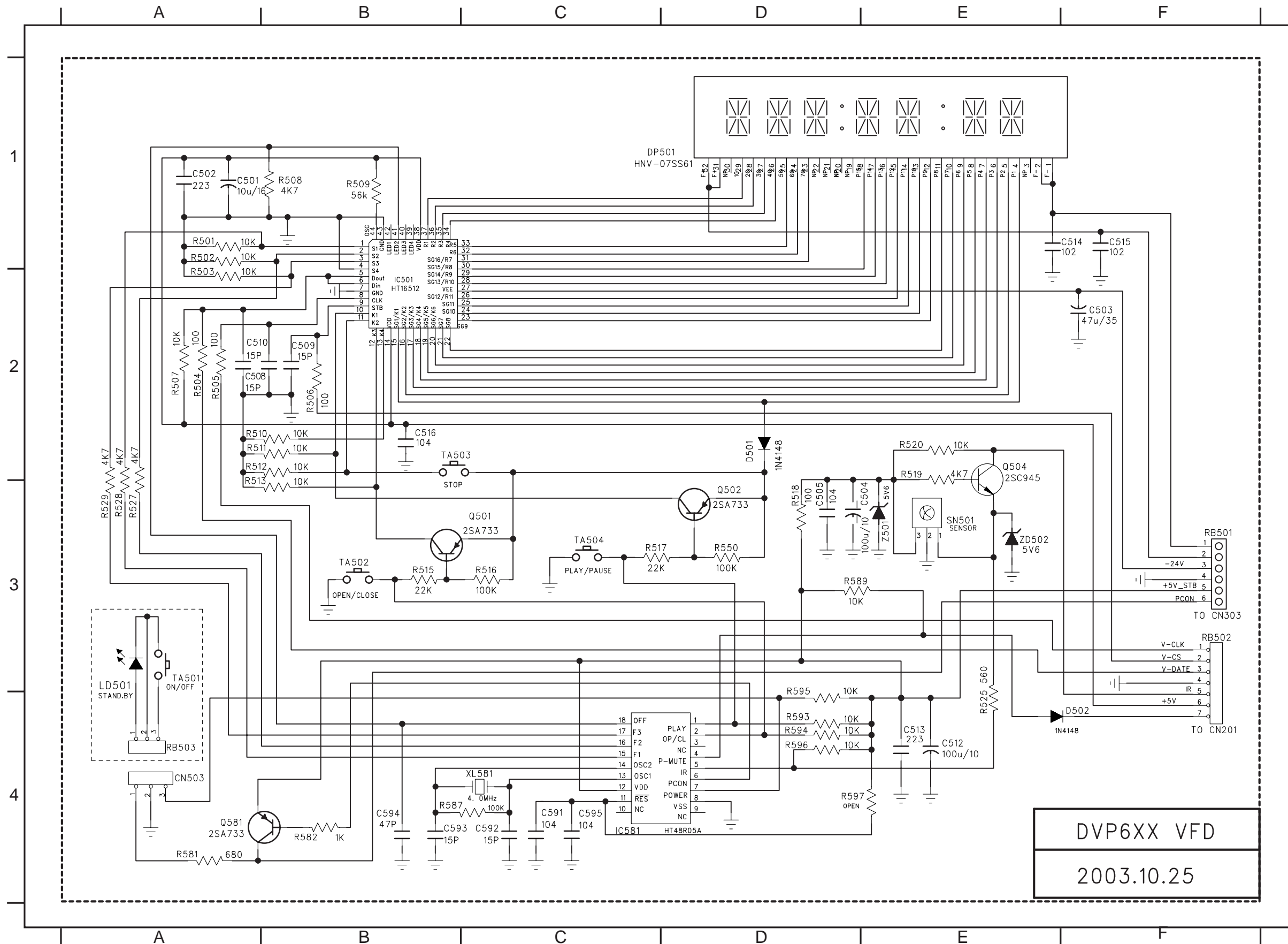
Already published Service Informations:

Spare parts code no. for Service Category 1 & Over-the-Counter Exchange sets:

This publication gives a survey of service spare parts for those typenumbers for which no service manual has been published.

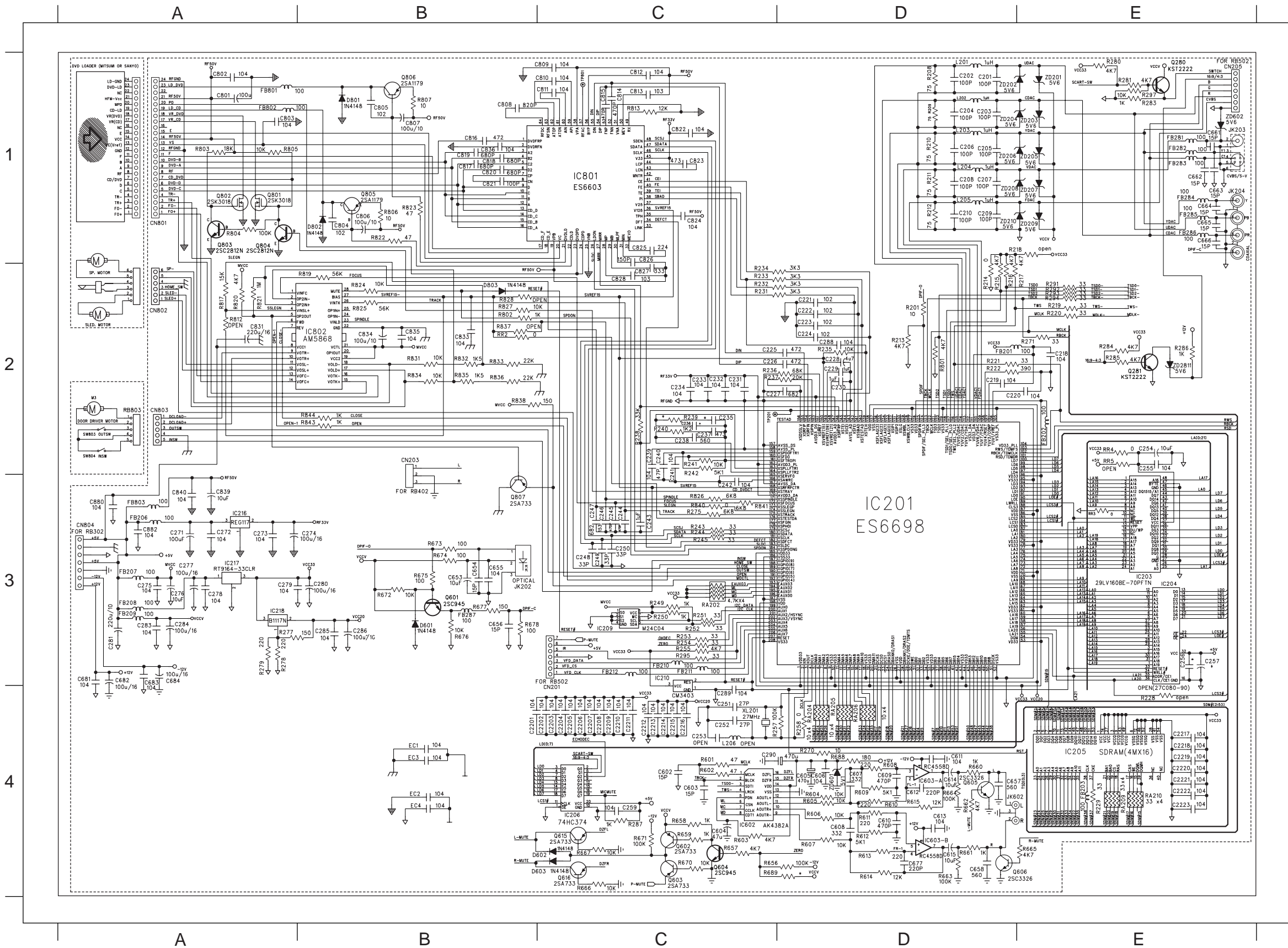
MODEL	REMOTE CONTROL	RCA CABLE 1500mm	RCA CABLE 1200mm	MAINS CORD	MISCELLANEOUS
DVP630/00/02/05	9965 000 23254	-	-	-	1 9965 000 23237 DVD DOOR TRIM 2 9965 000 23250 DOOR LENS 3 9965 000 12424 PHILIPS LOGO 4 9965 000 23251 STANDBY LENS 14 9965 000 23252 VFD LENS 18 9965 000 23253 DVD DOOR 23 9965 000 20638 RUBBER FOOT
DVP632/00/02/05	9965 000 23264	-	-	-	1 9965 000 23259 DVD DOOR TRIM 2 9965 000 23260 DOOR LENS 3 9965 000 12424 PHILIPS LOGO 4 9965 000 23261 STANDBY LENS 14 9965 000 23262 VFD LENS 18 9965 000 23263 DVD DOOR 23 9965 000 20638 RUBBER FOOT
DVP642/17	9965 000 23254	9965 000 23580	9965 000 23267	-	1 9965 000 23265 DVD DOOR TRIM 2 9965 000 23250 DOOR LENS 3 9965 000 12424 PHILIPS LOGO 4 9965 000 23251 STANDBY LENS 14 9965 000 23252 VFD LENS 18 9965 000 23253 DVD DOOR 23 9965 000 20638 RUBBER FOOT

CIRCUIT DIAGRAM - CONTROL & LED BOARD



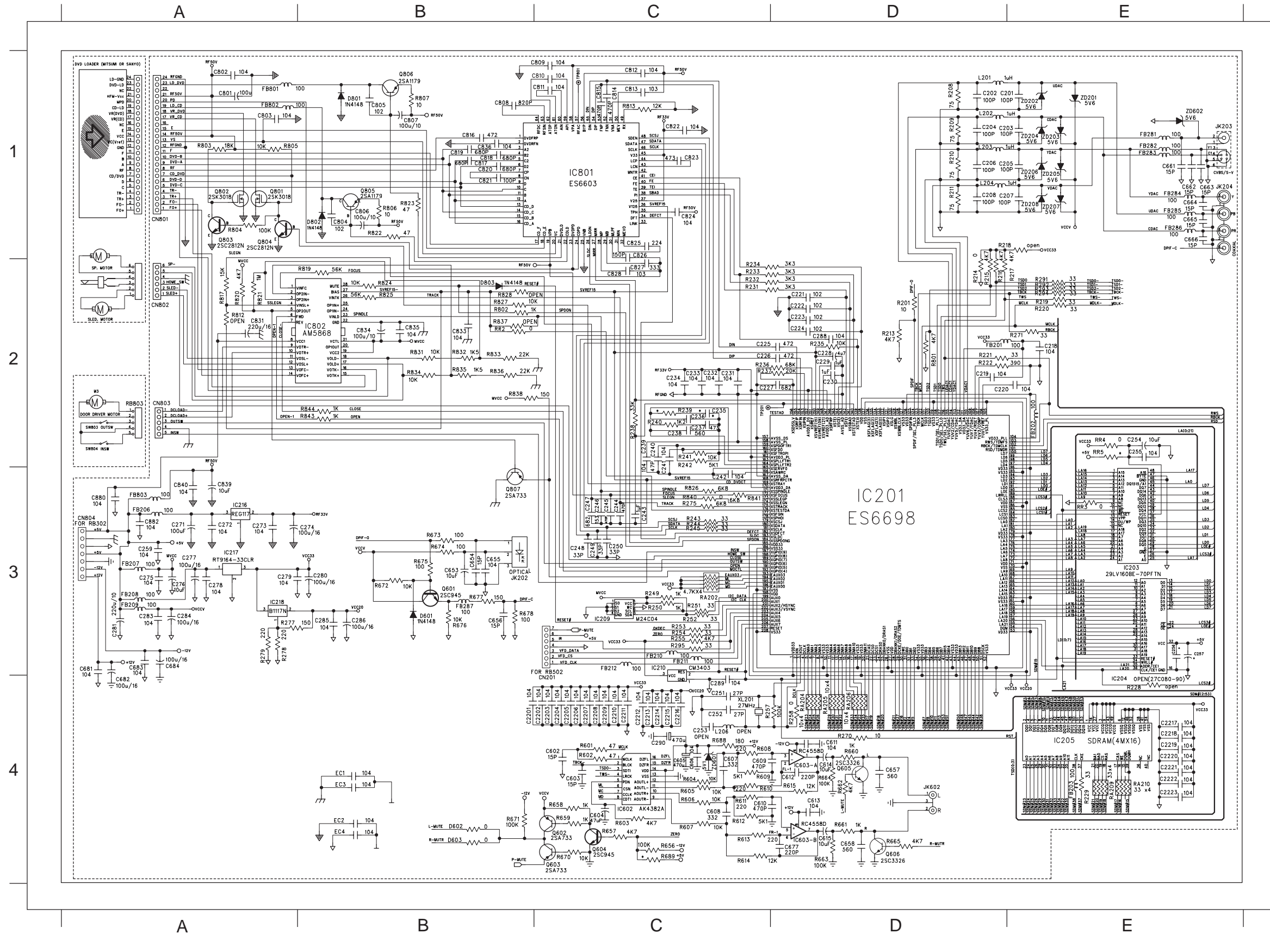
- C501 A1
- C502 A1
- C503 F2
- C504 E3
- C505 D3
- C508 A3
- C509 B2
- C510 A2
- C512 E4
- C513 E4
- C514 F1
- C515 F1
- C516 B2
- C591 C4
- C592 C4
- C593 B4
- C594 B4
- C595 C4
- CN503 A4
- D501 D2
- D502 E4
- DP501 D1
- IC501 B2
- IC581 C4
- LD501 A3
- Q501 C3
- Q502 D3
- Q504 E2
- Q581 A4
- R501 A1
- R502 A1
- R503 A1
- R504 A2
- R505 A2
- R506 B2
- R507 A2
- R508 B1
- R509 B1
- R510 A2
- R511 A2
- R512 A2
- R513 A2
- R515 B3
- R516 C3
- R517 C3
- R518 D3
- R519 E2
- R520 E2
- R525 E4
- R527 A3
- R528 A3
- R529 A3
- R550 D3
- R581 A4
- R582 B4
- R587 B4
- R589 D3
- R593 D4
- R594 D4
- R595 D4
- R596 D4
- RB501 F3
- RB502 F3
- RB503 A4
- SN501 E3
- TA501 A3
- TA502 B3
- TA503 B2
- TA504 C3
- XL581 C4
- ZD501 E3
- ZD502 E3

CIRCUIT DIAGRAM - MAIN BOARD (For DVP630/00/02/05, DVP632/00/02/05)



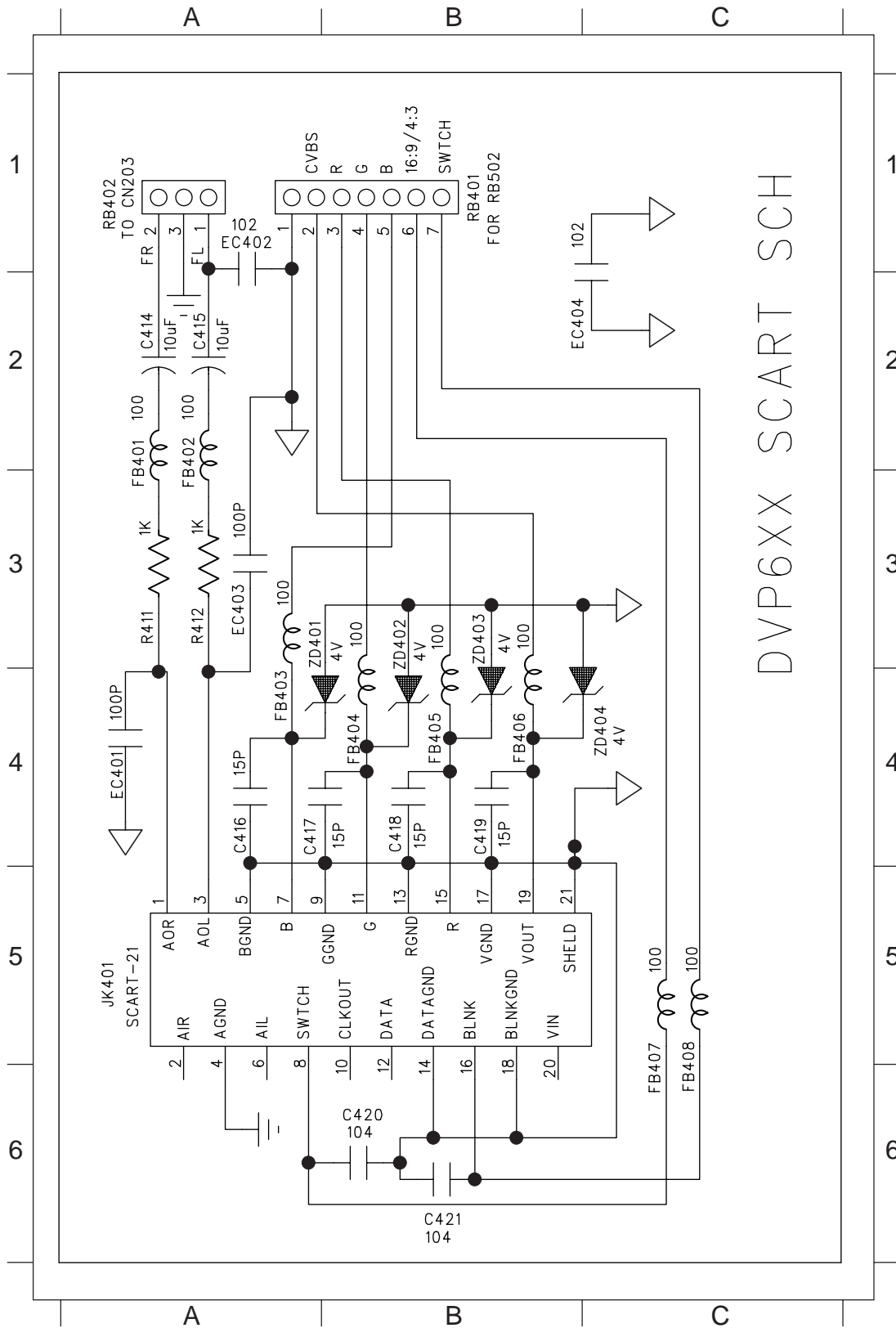
C201	D1	C818	B1	Q606	D4	R813	C1
C202	D1	C819	B1	Q615	C4	R817	A2
C203	D1	C820	B1	Q616	C4	R819	B2
C204	D1	C821	B1	Q801	A1	R820	A2
C205	D1	C822	C1	Q802	A1	R821	A2
C206	D1	C823	C1	Q803	A1	R822	B1
C207	D1	C824	C1	Q804	A1	R823	B1
C208	D1	C825	C1	Q805	B1	R824	B2
C209	D1	C826	C1	Q806	B1	R825	B2
C210	D1	C827	C2	Q807	B3	R826	C3
C218	E2	C828	C2	R201	D2	R827	B2
C219	D2	C831	A2	R208	D1	R831	B2
C220	E2	C833	B2	R209	D1	R832	B2
C221	D2	C834	B2	R210	D1	R833	B2
C222	D2	C835	B2	R211	D1	R834	B2
C223	D2	C836	B1	R212	D1	R835	B2
C224	D2	C839	A3	R213	D2	R836	B2
C225	C2	C840	A3	R214	D2	R838	B2
C226	C2	C880	A3	R215	D2	R840	C3
C227	C2	C882	A3	R216	D2	R841	C3
C228	D2	C2201	B4	R217	D2	R843	B2
C229	D2	C2202	C4	R219	E2	R844	B2
C230	D2	C2203	C4	R220	E2	RA202	C3
C231	C2	C2204	C4	R221	D2	RA204	D4
C232	C2	C2205	C4	R222	D2	RA205	D4
C233	C2	C2206	C4	R229	E4	RA206	D4
C234	C2	C2207	C4	R231	C2	RA209	E4
C237	C2	C2208	C4	R232	C2	RA210	E4
C238	C2	C2209	C4	R233	C2	RR2	B2
C239	C2	C2210	C4	R234	C2	RR3	E3
C240	C2	C2211	C4	R235	D2	RR4	E2
C241	C2	C2212	C4	R236	C2	XL201	C4
C242	C3	C2213	C4	R237	C2	ZD201	E1
C243	C3	C2214	C4	R238	C2	ZD202	D1
C244	C3	C2215	C4	R240	C2	ZD203	E1
C245	C3	C2216	C4	R241	C2	ZD204	D1
C246	C3	C2217	E4	R242	C2	ZD205	E1
C247	C3	C2218	E4	R243	C3	ZD206	D1
C248	C3	C2219	E4	R244	C3	ZD207	E1
C249	C3	C2220	E4	R245	C3	ZD208	D1
C250	C3	C2221	E4	R249	C3	ZD209	E1
C251	C4	C2222	E4	R250	C3	ZD210	D1
C252	C4	C2223	E4	R251	C3	ZD2811	E2
C254	E2	CN201	C3	R252	C3	ZD601	D4
C255	E2	CN203	B2	R253	C3	ZD602	E1
C259	C4	CN205	E1	R254	C3		
C271	A3	CN801	A1	R255	C3		
C272	A3	CN802	A2	R257	C4		
C273	A3	CN803	A2	R258	D4		
C274	B3	CN804	A3	R270	D4		
C275	A3	D601	B3	R271	E2		
C276	A3	D602	C4	R275	C3		
C277	A3	D603	C4	R277	A3		
C278	A3	D604	B1	R278	A3		
C279	A3	D602	A3	R279	A3		
C280	B3	D603	B3	R280	B1		
C281	A3	EC1	B4	R281	E1		
C283	A3	EC2	B4	R283	E1		
C284	A3	EC3	B4	R284	E2		
C285	B3	EC4	B4	R285	E2		
C286	B3	FB201	D2	R286	E2		
C288	D2	FB202	E2	R287	C4		
C289	C4	FB203	E4	R291	E2		
C290	C4	FB206	A3	R292	E2		
C602	C4	FB207	A3	R293	E2		
C603	C4	FB208	A3	R294	E2		
C604	C4	FB209	A3	R295	C3		
C605	D4	FB210	C3	R297	E1		
C606	D4	FB211	C3	R601	C4		
C607	D4	FB212	C3	R602	C4		
C608	D4	FB281	E1	R604	D4		
C609	D4	FB282	E1	R604	D4		
C610	D4	FB283	E1	R605	D4		
C611	D4	FB284	E1	R606	D4		
C612	D4	FB285	E1	R607	D4		
C613	D4	FB286	E1	R608	D4		
C614	D4	FB287	B3	R609	D4		
C615	D4	FB801	A1	R610	D4		
C653	B3	FB802	A1	R611	D4		
C654	B3	FB803	A3	R612	D4		
C655	B3	IC201	D3	R613	D4		
C656	B3	IC203	E3	R614	D4		
C657	D4	IC204	E3	R615	D4		
C658	D4	IC205	E4	R656	C4		
C661	E1	IC206	C4	R657	C4		
C662	E1	IC209	C3	R658	C4		
C663	E1	IC210	C3	R659	C4		
C664	E1	IC216	A3	R660	D4		
C665	E1	IC217	A3	R661	D4		
C666	E1	IC218	A3	R662	D4		
C677	D4	IC401	E1	R663	D4		
C681	A3	IC602	C4	R664	D4		
C682	A3	IC603-A	D4	R665	D4		
C683	A3	IC603-B	D4	R666	C4		
C684	A3	IC801	C1	R667	C4		
C801	A1	IC802	B2	R670	C4		
C802	A1	JK202	B3	R671	C4		
C803	A1	JK203	E1	R672	B3		
C804	B1	JK204	E1	R673	B3		
C805	B1	JK602	D4	R674	B3		
C806	B1	L201	D1	R675	B3		
C807	B1	L202	D1	R676	B3		
C808	B1	L203	D1	R677	B3		
C809	C1	L204	D1	R678	B3		
C810	C1	L205	D1	R688	D4		
C811	C1	Q280	E1	R801	D2		
C812	C1	Q281	E2	R802	B2		
C813	C1	Q601	B3	R803	A1		
C814	C1	Q602	C4	R804	A1		
C815	C1	Q603	C4	R805	A1		
C816	B1	Q604	C4	R806	B1		
C817	B1	Q605	D4	R807	B1		

CIRCUIT DIAGRAM - MAIN BOARD (For DVP642/17)



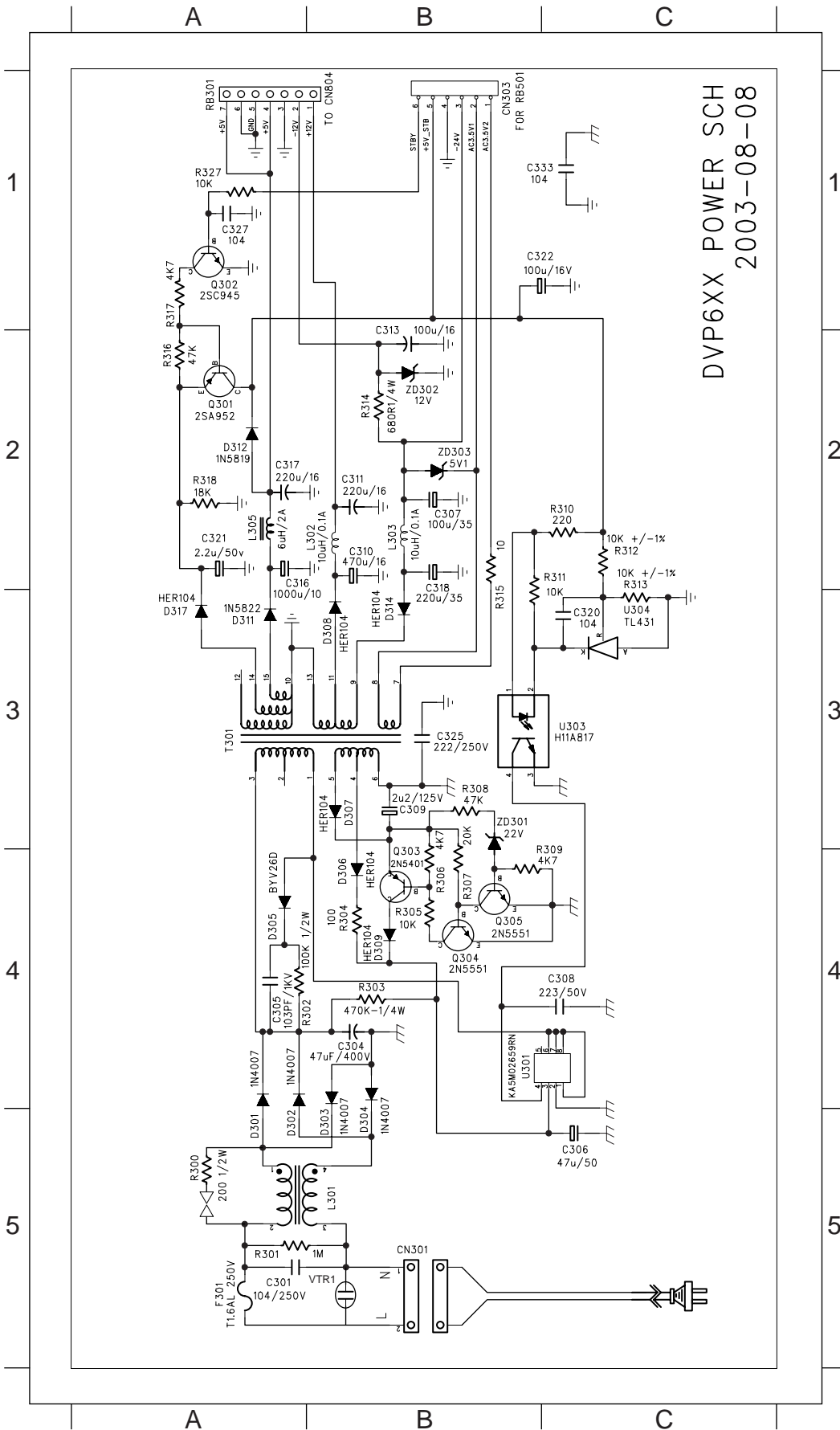
C201	E1	C820	B1	R209	D1	R844	B2
C202	D1	C821	B1	R210	D1	RA202	C3
C203	E1	C822	C1	R211	D1	RA204	D4
C204	D1	C823	C1	R213	D2	RA205	D4
C205	E1	C824	C1	R214	D2	RA206	D4
C206	D1	C825	C1	R215	D2	RA209	E4
C207	E1	C826	C1	R216	D2	RA210	E4
C208	D1	C827	C2	R217	D2	RR2	B2
C218	E2	C828	C2	R219	E2	RR3	E3
C219	D2	C831	A2	R220	E2	RR4	E2
C220	D2	C833	B2	R221	D2	XL201	C4
C221	D2	C834	B2	R222	D2	ZD201	E1
C222	D2	C835	B2	R229	E4	ZD202	E1
C223	D2	C836	B1	R231	C2	ZD203	E1
C224	D2	C839	A3	R232	C2	ZD204	E1
C225	C2	C840	A3	R233	C2	ZD205	E1
C226	C2	C880	A3	R234	C2	ZD206	E1
C227	C2	C882	A3	R235	D2	ZD207	E1
C228	D2	CN201	C3	R236	C2	ZD208	E1
C229	D2	CN801	A1	R237	C2	ZD208	E1
C230	D2	CN802	A2	R238	C2	ZD601	C4
C231	C2	CN803	A2	R240	C2	ZD602	E1
C232	C2	CN804	A3	R241	C2		
C233	C2	C2201	B4	R242	C2		
C234	C2	C2202	C4	R243	C3		
C237	C2	C2203	C4	R244	C3		
C238	C2	C2204	C4	R245	C3		
C239	C2	C2205	C4	R249	C3		
C240	C2	C2206	C4	R250	C3		
C241	C2	C2207	C4	R251	C3		
C242	C3	C2208	C4	R252	C3		
C243	C3	C2209	C4	R253	C3		
C244	C3	C2210	C4	R254	C3		
C245	C3	C2211	C4	R255	C3		
C246	C3	C2212	C4	R256	C4		
C247	C3	C2213	C4	R258	D4		
C248	C3	C2214	C4	R270	D4		
C249	C3	C2215	C4	R271	E2		
C250	C3	C2216	C4	R275	C4		
C251	C4	C2217	E4	R277	A3		
C252	C4	C2218	E4	R278	A3		
C254	E2	C2219	E4	R279	A3		
C255	E2	C2220	E4	R291	E2		
C259	A3	C2221	E4	R292	E2		
C271	A3	C2222	E4	R293	E2		
C272	A3	C2223	E4	R294	E2		
C273	A3	D601	B3	R295	C3		
C274	B3	D602	B4	R601	C4		
C275	A3	D603	B4	R602	C4		
C276	A3	D801	B1	R603	C4		
C277	A3	D802	B1	R604	C4		
C278	A3	D803	B2	R605	C4		
C279	A3	EC1	B4	R606	C4		
C280	B3	EC2	B4	R607	C4		
C281	A3	EC3	B4	R608	C4		
C283	A3	EC4	B4	R609	C4		
C284	A3	FB201	D2	R610	C4		
C285	B3	FB202	E2	R611	C4		
C286	B3	FB203	E2	R612	C4		
C288	D2	FB206	A3	R613	C4		
C289	C4	FB207	A3	R614	C4		
C290	C4	FB208	A3	R615	D4		
C602	C4	FB209	A3	R656	C4		
C603	C4	FB210	C3	R657	C4		
C604	C4	FB211	C3	R658	C4		
C605	C4	FB212	C3	R659	C4		
C606	C4	FB281	E1	R660	D4		
C607	C4	FB282	E1	R661	D4		
C608	C4	FB283	E1	R662	D4		
C609	C4	FB284	E1	R663	D4		
C610	C4	FB285	E1	R664	D4		
C611	D4	FB286	E1	R665	D4		
C612	D4	FB287	B3	R670	C4		
C613	D4	FB801	A1	R671	B4		
C614	D4	FB802	A1	R672	B3		
C615	D4	FB803	A3	R673	B3		
C653	B3	IC201	D3	R674	B3		
C654	B3	IC203	E3	R675	B3		
C655	B3	IC205	E4	R676	B3		
C656	B3	IC209	C3	R677	B3		
C657	D4	IC210	C3	R678	B3		
C658	D4	IC216	A3	R688	C4		
C661	E1	IC217	A3	R801	D2		
C662	E1	IC218	A3	R802	B2		
C663	E1	IC602	A4	R803	A1		
C664	E1	IC603-A	D4	R804	A1		
C665	E1	IC603-B	D4	R804	B1		
C666	E1	IC801	C1	R805	A1		
C677	D4	IC802	B2	R806	B1		
C681	A3	JK203	B3	R807	B1		
C682	A3	JK203	E1	R813	C1		
C683	A3	JK204	E1	R817	A2		
C684	A3	JK602	D4	R819	B2		
C801	A1	L201	D1	R820	A2		
C802	A1	L202	D1	R821	A2		
C803	A1	L203	D1	R822	B1		
C804	B1	L204	D1	R823	B1		
C805	B1	Q601	B3	R824	B2		
C806	B1	Q602	C4	R825	B2		
C807	B1	Q603	C4	R826	C3		
C808	B1	Q604	C4	R827	B2		
C809	C1	Q605	D4	R831	B2		
C810	C1	Q606	D4	R832	B2		
C811	C1	Q801	A1	R833	B2		
C812	C1	Q802	A1	R834	B2		
C813	C1	Q803	A1	R835	B2		
C814	C1	Q804	A1	R836	B2		
C815	C1	Q805	B1	R837	B2		
C816	B1	Q806	B1	R838	B2		
C817	B1	Q807	B3	R840	C3		
C818	B1	R201	D2	R841	C3		
C819	B1	R208	D1	R843	B2		

CIRCUIT DIAGRAM - SCART BOARD (For DVP630/00/02/05, DVP632/00/02/05)



C414	A2
C415	A2
C416	A4
C417	A4
C418	B4
C419	B4
C420	B6
C421	B6
JK401	A5
R411	A3
R412	A3
EC401	A4
EC402	A1
EC403	A3
EC404	C2
FB401	A2
FB402	A2
FB403	A4
FB404	B4
FB405	B4
FB406	B4
FB407	C5
FB408	C5
RB401	B1
RB402	A1
ZD401	A3
ZD402	B3
ZD403	B3
ZD404	C4

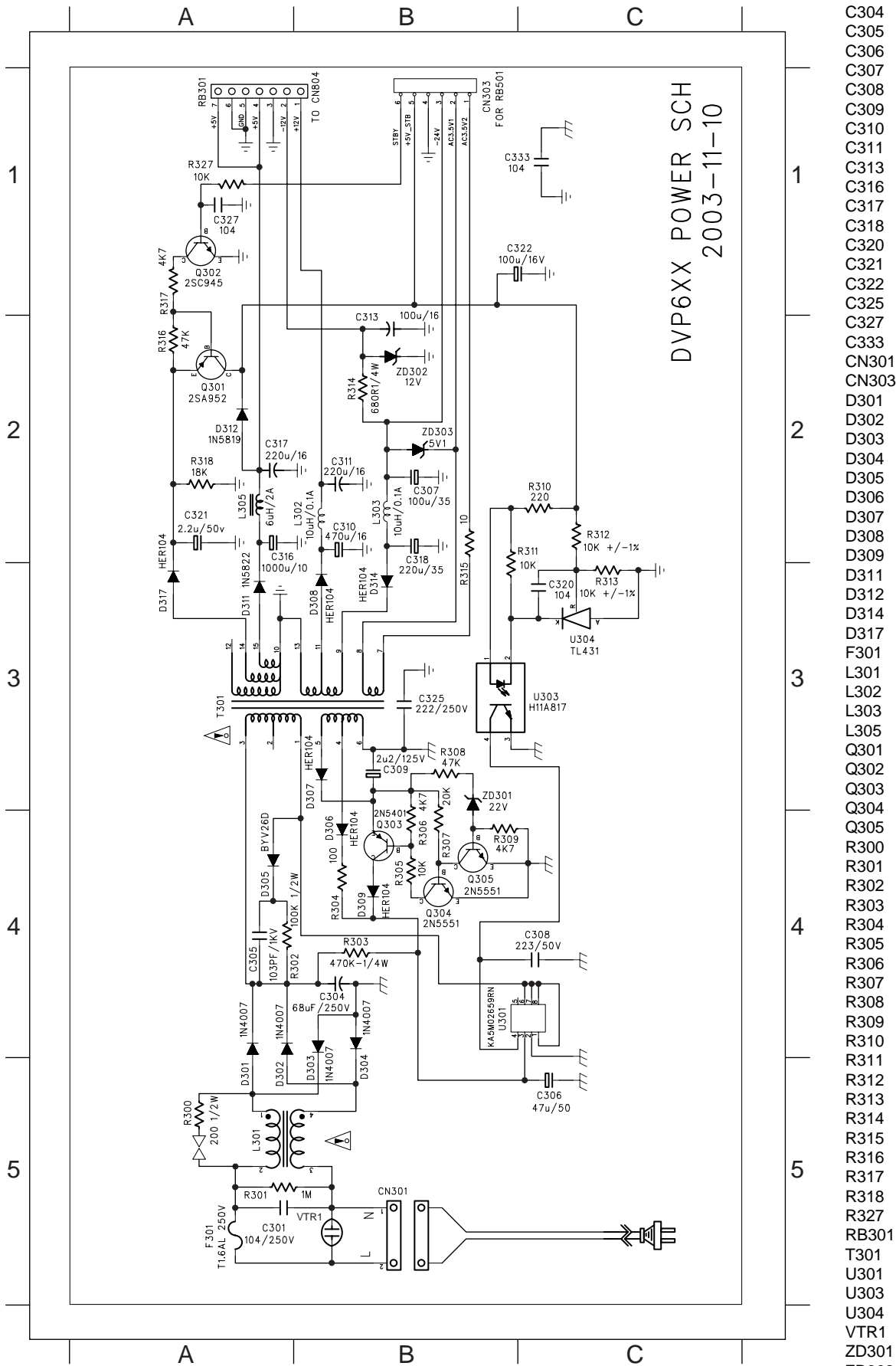
CIRCUIT DIAGRAM - POWER BOARD (For DVP630/00/02/05, DVP632/00/02/05)



C301	A5
C304	B4
C305	A4
C306	C5
C307	B2
C308	C4
C309	B3
C310	B2
C311	B2
C313	B2
C316	A2
C317	A2
C318	B2
C320	C3
C321	A2
C322	B1
C325	B3
C327	A1
C333	C1
CN301	B5
CN303	B1
D301	A5
D302	A5
D303	B5
D304	B5
D305	A4
D306	B4
D307	B3
D308	B3
D309	B4
D311	A3
D312	A2
D314	B3
D317	A3
F301	A5
L301	B5
L302	B2
L303	B2
L305	A2
Q301	A2
Q302	A1
Q303	B4
Q304	B4
Q305	B4
R300	A5
R301	A5
R302	A4
R303	B4
R304	B4
R305	B4
R306	B4
R307	B4
R308	B3
R309	B4
R310	C2
R311	C2
R312	C2
R313	C2
R314	B2
R315	B3
R316	A2
R317	A1
R318	A2
R327	A1
RB301	A1
T301	A3
U301	B4
U303	C3
U304	C3
VTR1	B5
ZD301	B3
ZD302	B2
ZD303	B2

DVP6XX POWER SCH
2003-08-08

CIRCUIT DIAGRAM - POWER BOARD (For DVP642/17)



C301	A5
C304	B4
C305	A4
C306	C5
C307	C2
C308	C4
C309	B3
C310	C2
C311	C2
C313	C2
C316	A2
C317	A2
C318	C2
C320	C3
C321	A2
C322	B1
C325	B3
C327	A1
C333	C1
CN301	B5
CN303	B1
D301	A5
D302	A5
D303	B5
D304	B5
D305	A4
D306	B4
D307	B3
D308	B3
D309	B4
D311	A3
D312	A2
D314	B3
D317	A3
F301	A5
L301	A5
L302	B2
L303	C2
L305	A2
Q301	A2
Q302	A1
Q303	B4
Q304	B4
Q305	B4
R300	A5
R301	A5
R302	A4
R303	B4
R304	B4
R305	B4
R306	B4
R307	B4
R308	B3
R309	B4
R310	C2
R311	C2
R312	C2
R313	C3
R314	C2
R315	B3
R316	A2
R317	A1
R318	A2
R327	A1
RB301	A1
T301	A3
U301	B4
U303	C3
U304	C3
VTR1	B5
ZD301	B3
ZD302	C2
ZD303	C2

MECHANICAL EXPLODED VIEW

